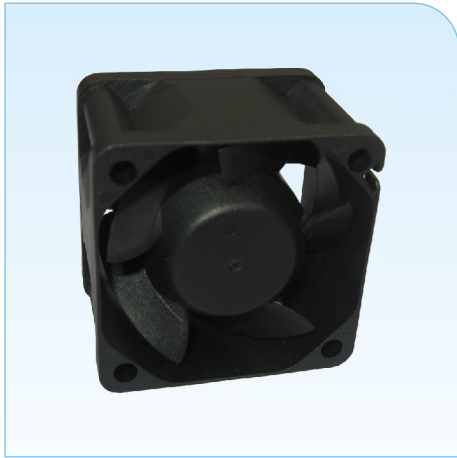
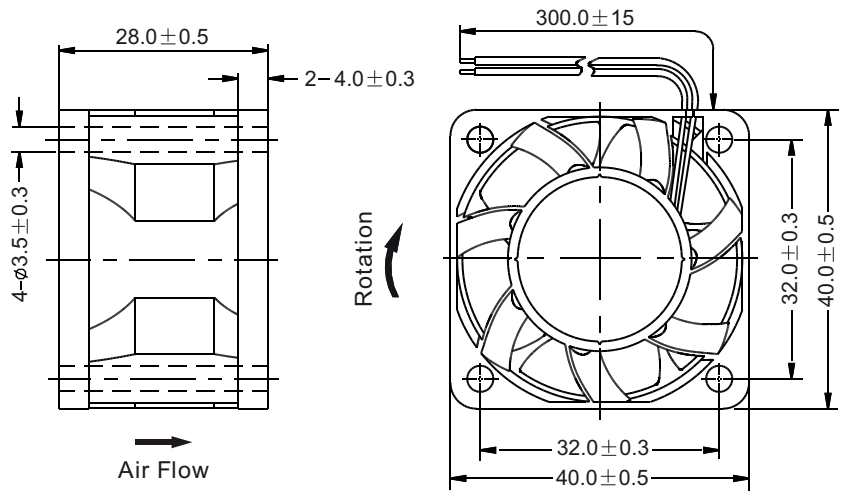


40x40x28mm



■ Dimensions Drawing



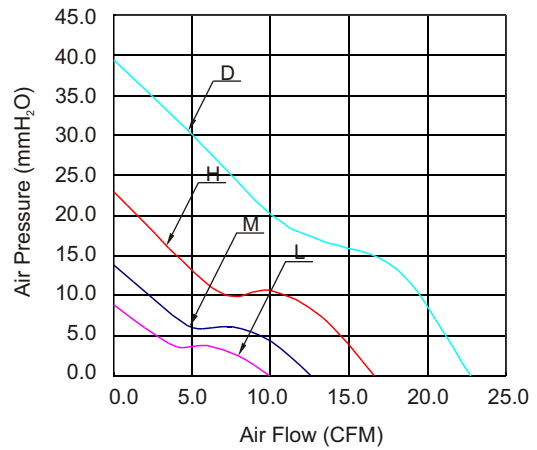
Unit: mm

General Specification:

- Frame and Impeller : Thermal Plastic , UL 94V-0
- Lead Wires : UL Type
(+) : Red (-) : Black
- Operation Temperature : -10°C~70°C、
35%~85%RH
- Storage Temperature : -40°C~80°C、
35%~85%RH



■ Performance Curves



Listed Model	Bearing System	Rated Voltage	Operation Voltage	Rated Current	Rated Speed	Air Flow	Air Pressure	Noise Level	Available Features (Optional)				Weight
		VDC	VDC	A	RPM	CFM	mmH ₂ O	dBA	Tachometer Output	Rotation Detector	Thermal Control	Pulse Width Modulation	g
RGD4028B1	Ball	12	6.0~13.8	0.65	17,500	22.7	39.4	58	•	•		•	41
RGH4028B1			6.0~13.8	0.38	13,000	16.5	22.9	50	•	•		•	
RGM4028B1			6.0~13.8	0.25	10,000	12.5	13.8	42	•	•		•	
RGL4028B1			6.0~13.8	0.15	8,000	9.9	9.0	36	•	•		•	
RGH4028B2	Ball	24	12.0~27.6	0.30	13,000	16.5	22.9	50	•	•		•	41
RGM4028B2			12.0~27.6	0.15	10,000	12.5	13.8	42	•	•		•	
RGL4028B2			12.0~27.6	0.10	8,000	9.9	9.0	36	•	•		•	