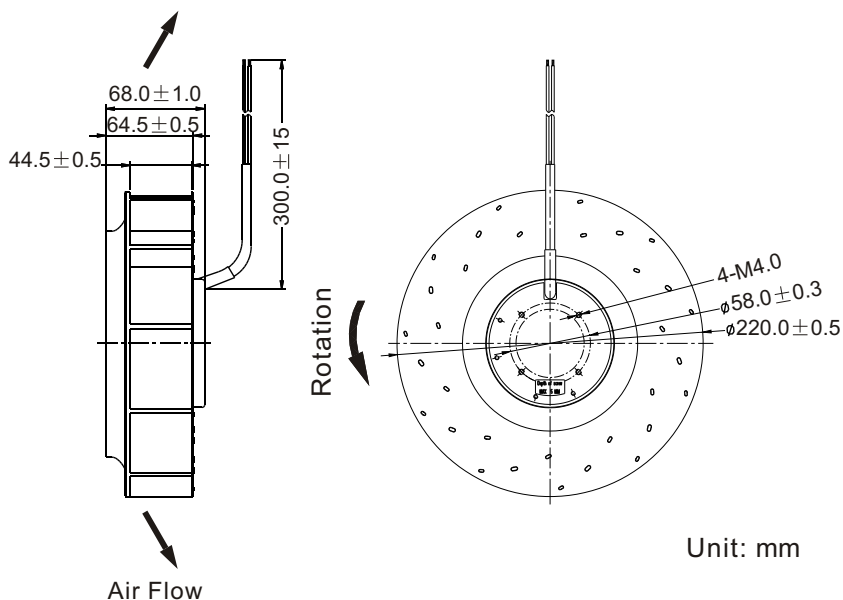


∅ 220x68mm

■ Dimensions Drawing

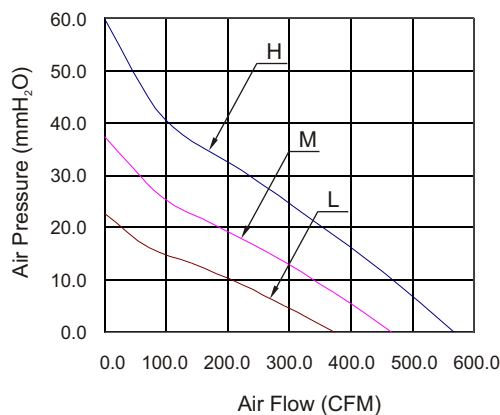


Unit: mm

General Specification:

- Frame : Aluminum Alloy
- Impeller : PA6 UL94V-0 Reinforced Plastic
- Lead Wires : UL Type
(+) : Red (-) : Black
- Operation Temperature : -10°C~70°C、
35%~85%RH
- Storage Temperature : -40°C~80°C、
35%~85%RH

■ Performance Curves



Listed Model	Bearing System	Rated Voltage	Operation Voltage	Rated Current	Rated Speed	Air Flow	Air Pressure	Noise Level	Available Features (Optional)				Weight
		VDC	VDC	A	RPM	CFM	mmH ₂ O	dBA	Tachometer Output	Rotation Detector	Thermal Control	Pulse Width Modulation	
RFH22068B4	Ball	48	24.0~55.2	2.60	3,000	567.7	59.9	73	•	•	•	•	1165
RFM22068B4			24.0~55.2	1.30	2,400	466.6	37.4	67	•	•	•	•	
RFL22068B4			24.0~55.2	0.80	1,900	373.3	22.7	61	•	•	•	•	
RFH22068B4		24	12.0~27.6	5.40	3,000	567.7	59.9	73	•	•	•	•	
RFM22068B4			12.0~27.6	2.80	2,400	466.6	37.4	67	•	•	•	•	
RFL22068B4			12.0~27.6	1.80	1,900	373.3	22.7	61	•	•	•	•	