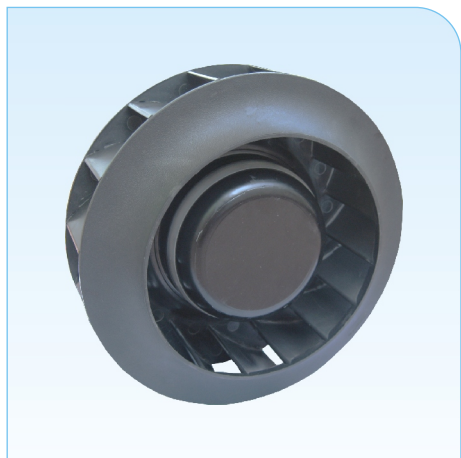
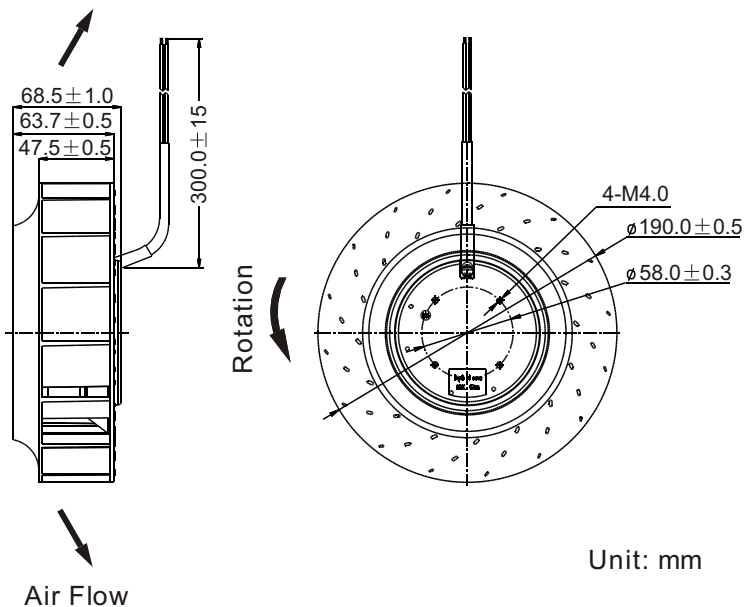


∅ 190x69mm



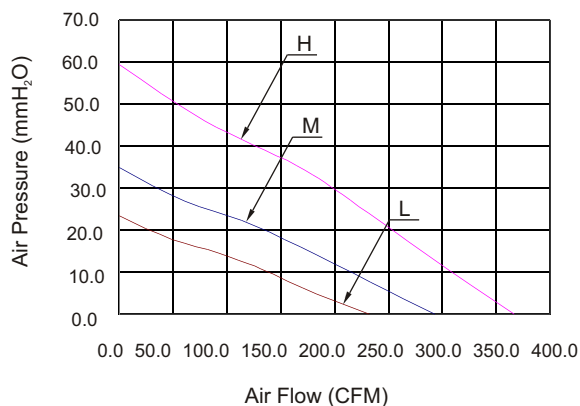
■ Dimensions Drawing



General Specification:

- Frame : Aluminum Alloy
- Impeller : PA6 UL 94V-0 Reinforced Plastic
- Lead Wires : UL Type
(+) : Red (-) : Black
- Operation Temperature : -10°C~70°C、
35%~85%RH
- Storage Temperature : -40°C~80°C、
35%~85%RH

■ Performance Curves



Listed Model	Bearing System	Rated Voltage	Operation Voltage	Rated Current	Rated Speed	Air Flow	Air Pressure	Noise Level	Available Features (Optional)				Weight
		VDC	VDC	A	RPM	CFM	mmH ₂ O	dBA	Tachometer Output	Rotation Detector	Thermal Control	Pulse Width Modulation	
RFH19069B2	Ball	24	15.0~27.6	5.00	3,200	366.7	59.3	70	•	•	•	•	1133
RFM19069B2			15.0~27.6	3.00	2,500	293.2	34.8	63	•	•	•	•	
RFL19069B2			15.0~27.6	2.00	2,000	232.3	23.3	57	•	•	•	•	
RFH19069B4	Ball	48	24.0~58.0	2.50	3,200	366.7	59.3	70	•	•	•	•	
RFM19069B4			24.0~58.0	1.50	2,500	293.2	34.8	63	•	•	•	•	
RFL19069B4			24.0~58.0	1.00	2,000	232.3	23.3	57	•	•	•	•	