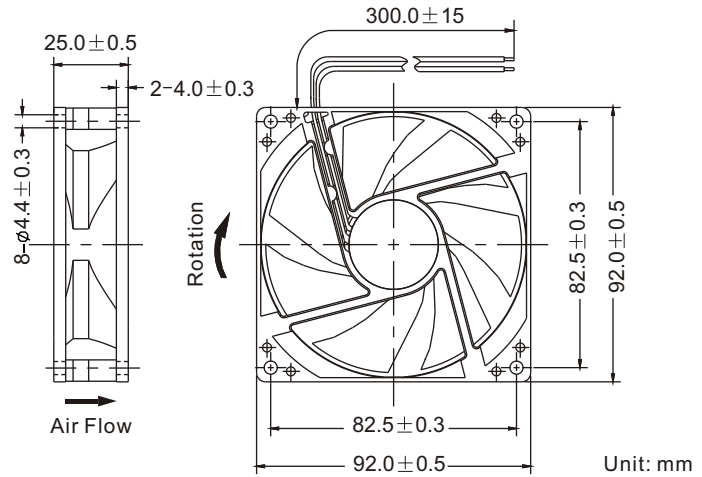
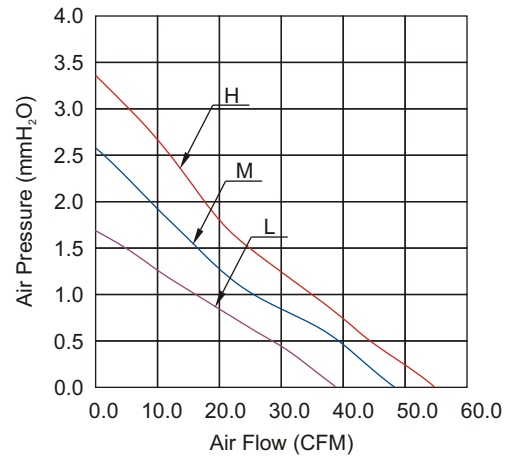


■ Dimensions Drawing



■ Performance Curves



General Specification:

- Frame and Impeller : Thermal Plastic , UL 94V-0
- Lead Wires : UL Type
(+) : Red (-) : Black
- Operation Temperature : -10°C~70°C、
35%~85%RH
- Storage Temperature : -40°C~80°C、
35%~85%RH



Listed Model	Bearing System	Rated Voltage	Operation Voltage	Rated Current	Rated Speed	Air Flow	Air Pressure	Noise Level	Available Features (Optional)				Weight
		VDC	VDC	A	RPM	CFM	mmH ₂ O	dBA	Tachometer Output	Rotation Detector	Thermal Control	Pulse Width Modulation	g
RDH9025S	Sleeve	12	6.0~13.8	0.23	2,800	54.6	3.3	36	•	•	•	•	85
RDM9025S			6.0~13.8	0.19	2,500	48.1	2.6	33	•	•	•	•	
RDL9025S			6.0~13.8	0.16	2,000	39.0	1.7	28	•	•	•	•	
RDH9025B	Ball		6.0~13.8	0.23	2,800	54.6	3.3	36	•	•	•	•	
RDM9025B			6.0~13.8	0.19	2,500	48.1	2.6	33	•	•	•	•	
RDL9025B			6.0~13.8	0.16	2,000	39.0	1.7	28	•	•	•	•	
RDH9025S2	Sleeve	24	12.0~27.6	0.22	2,800	54.6	3.3	36	•	•			85
RDM9025S2			12.0~27.6	0.18	2,500	48.1	2.6	33	•	•			
RDL9025S2			12.0~27.6	0.15	2,000	39.0	1.7	28	•	•			
RDH9025B2	Ball		12.0~27.6	0.22	2,800	54.6	3.3	36	•	•			
RDM9025B2			12.0~27.6	0.18	2,500	48.1	2.6	33	•	•			
RDL9025B2			12.0~27.6	0.15	2,000	39.0	1.7	28	•	•			

Notes: ©All readings are typical values at rated voltage.
©Specifications are subjected to change without prior notice.