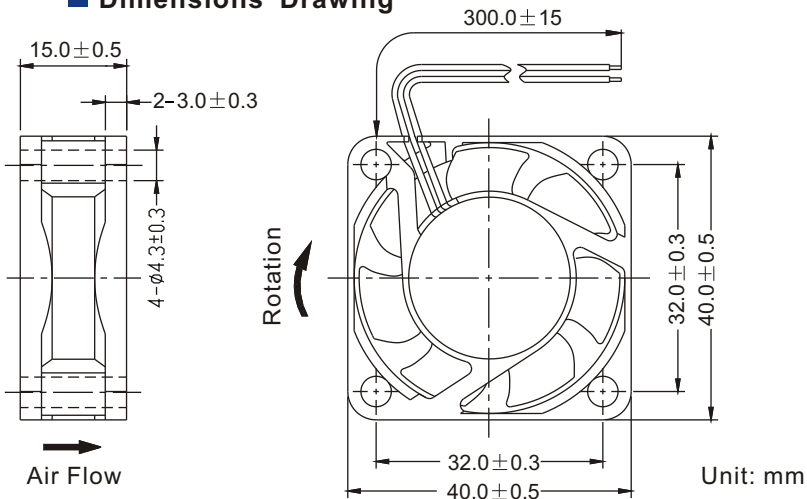
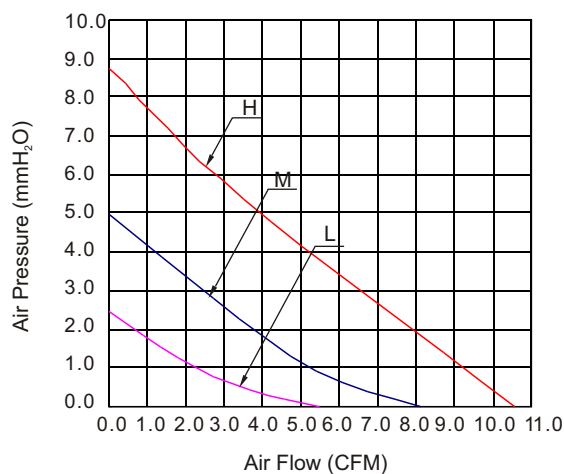


40x40x15mm

■ Dimensions Drawing



■ Performance Curves



General Specification:

- Frame and Impeller : Thermal Plastic , UL 94V-0
- Lead Wires : UL Type
(+) : Red (-) : Black
- Operation Temperature : -10°C~70°C、
35%~85%RH
- Storage Temperature : -40°C~80°C、
35%~85%RH



Listed Model	Bearing System	Rated Voltage	Operation Voltage	Rated Current	Rated Speed	Air Flow	Air Pressure	Noise Level	Available Features (Optional)				Weight
		VDC	VDC	A	RPM	CFM	mmH ₂ O	dBA	Tachometer Output	Rotation Detector	Thermal Control	Pulse Width Modulation	
RDH4015S1	Sleeve	12	6.0~13.8	0.26	8,500	10.6	8.8	37	•	•			23.5
RDM4015S1			6.0~13.8	0.18	6,500	8.1	5.0	30	•	•			
RDL4015S1			6.0~13.8	0.10	4,500	5.5	2.5	21	•	•			
RDH4015B1	Ball		6.0~13.8	0.26	8,500	10.6	8.8	37	•	•			
RDM4015B1			6.0~13.8	0.18	6,500	8.1	5.0	30	•	•			
RDL4015B1			6.0~13.8	0.10	4,500	5.5	2.5	21	•	•			
RDH4015C1	One Ball One Sleeve		6.0~13.8	0.26	8,500	10.6	8.8	37	•	•			
RDM4015C1			6.0~13.8	0.18	6,500	8.1	5.0	30	•	•			
RDL4015C1			6.0~13.8	0.10	4,500	5.5	2.5	21	•	•			